

## 2.16// LOW-RESISTANCE BACKFLOW PREVENTER

(SKYLHS41X), PN10/16

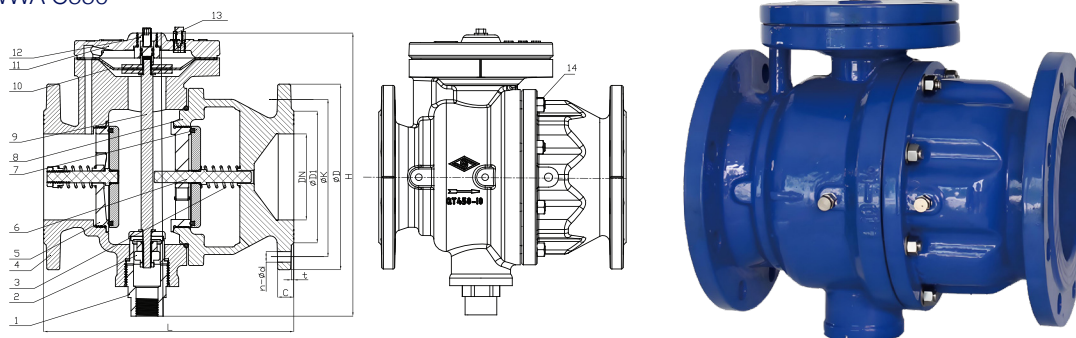
### FEATURES

**Connection Ends:** Flange to DIN EN 1092-2:1997

**Working Pressure:** PN10/16

**Temperature Range:** 0°C- 80°C

**Coating:** Fusion Bonded Epoxy Coating in accordance with ANSI/AWWA C550



### MATERIAL SPECIFICATIONS

|| = Other Options

No.	Part Name	Material	No.	Part Name	Material
1	Drain Connection	SS304    SS316	8	Vice Body	EN-GJS-450-10
2	Sluice Valve	SS304    SS316	9	Stem Assembly	SS304    SS316
3	Spring Set	SS304    SS316	10	Diaphragm Assembly	SS304+EPDM    SS316+EPDM
4	Main Valve Body	EN-GJS-450-10	11	Valve Deck	EN-GJS-450-10
5	Front Check Valve Assembly	SS304+EPDM    SS316+EPDM	12	Bonnet Joint	SS304    SS316
6	Check Valve Shaft Assembly	SS304    SS316	13	Test Valve Assembly	SS304    SS316
7	Rear Check Valve Assembly	SS304+EPDM    SS316+EPDM	14	Screw Bolt Assembly	SS304    SS316

Note: For special material request other than standard specification, please indicate clearly on the inquiry or order list.

### DIMENSIONS

DN		Dimensions (mm)								
Inch	mm	L	H	PN	D	K	D1	C	t	n-Φd
2"	50	230	250	10/16	165	125	99	19	3	4-Φ19
2.5"	65	236	286	10/16	185	145	118	19	3	4-Φ19
3"	80	276	300	10/16	200	160	132	19	3	8-Φ19
4"	100	298	347	10/16	220	180	156	19	3	8-Φ19
5"	125	303	365	10/16	250	210	184	19	3	8-Φ19
6"	150	364	404	10/16	285	240	211	19	3	8-Φ23
8"	200	470	520	10	340	295	266	20	3	12-Φ23
				16						
10"	250	470	520	10	405	350	319	22	3	12-Φ28
				16		355				
12"	300	580	680	10	455	400	370	24.5	4	12-Φ28
				16		410				
16"	400	740	900	10	580	515	609	28	4	16-Φ32
				16		525				
20"	500	900	1100	10	715	620	720	31.5	4	20-Φ32
				16		650				